

SilvPAC® LM/BF-20™

Stationary Cathode Silver Recovery Units



SilvPAC LM/BF-20
40 gallon batch size



Features and Benefits

- Digital microprocessor controls with automatic current setback
- Internal caustic doser controls
- Filtered DC power supply for maximum plating efficiency
- Sealed electronics (CE mark)
- Simple installation
- Reduced electrical power consumption
- Requires minimal maintenance

SilvPAC LM/BF-20 Stationary cathode silver recovery systems are designed for professional and commercial labs. This innovative unit desilver EZ bleach fix (regenerated RA bleach fix), NR type bleach fix combined with low flow wash and overflow C-41 fixer. E-6 may also be added to the above processing solutions. The LM/BF-20 is ideal for large volume mini labs to desilver bleach-fix, washless paper stabilizer, fixer, and washless film stabilizer.

LM/BF-20 uses a uniquely designed stationary cathode that simplifies desilvering. This automatic electrolytic silver recovery system uses a filtered power supply and can recover up to 95% of available silver using a "batch" process. The LM/BF-20 unit includes a collection tank, batch tank, transfer pumps, liquid level switches and automatic controls.

CPAC Equipment Division

SilvPAC® LM/BF-20 Product Data

Specifications

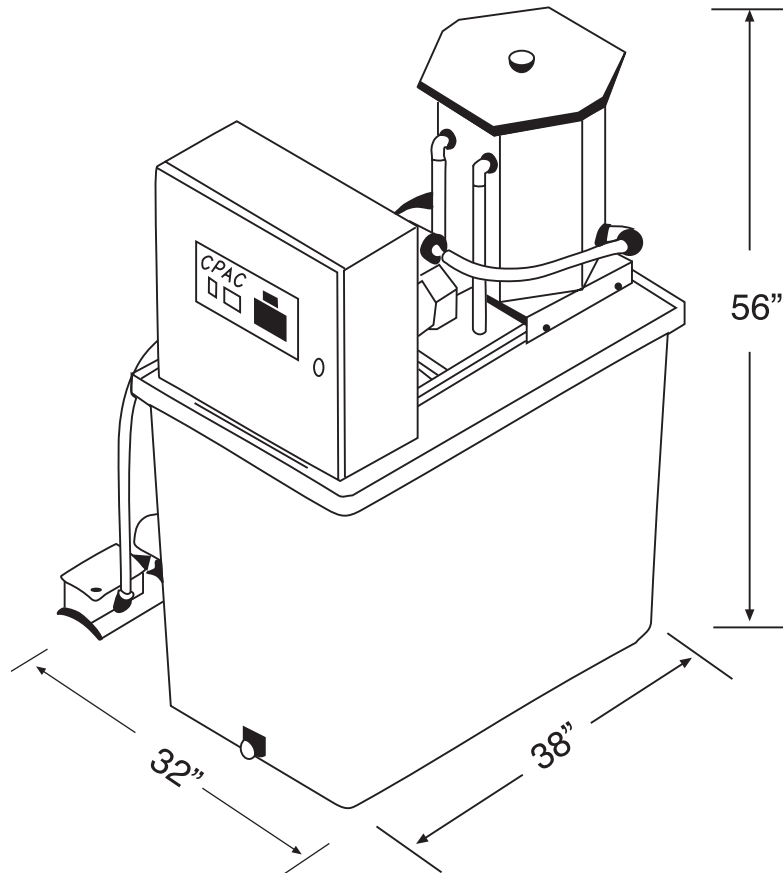
SilvPAC LM/BF-20

Desilvering Time for 40 gallons (151 l):	6-8 hours
Recovery Rate Troy oz./hours (gm/hr):	2 (62)
Typical Application:	Up to 120 gallons per day (24 hours)
Unit Dimensions:	38"D x 32"W x 56"H (97cm x 81cm x 142cm)
Electrical Service:	208-240VAC, 50/60 Hz, 15 Amps
Collection Tank:	50 gallons (189 l)
Batch Tank:	40 gallons (151 l)

Materials of Construction

- Stainless steel tubular frame and cathode
- Fiberglass cell tank and base
- Carbon anodes
- Baked powder coated electrical enclosure
- Plastic shrouds
- DIN rail electrical components

Dimensions



CPAC Equipment Division

2364 Leicester Road, P.O. Box 175

Leicester, NY 14481

Phone (716) 382-3223 • Fax (716) 382-3031

www.cpacequipment.com

